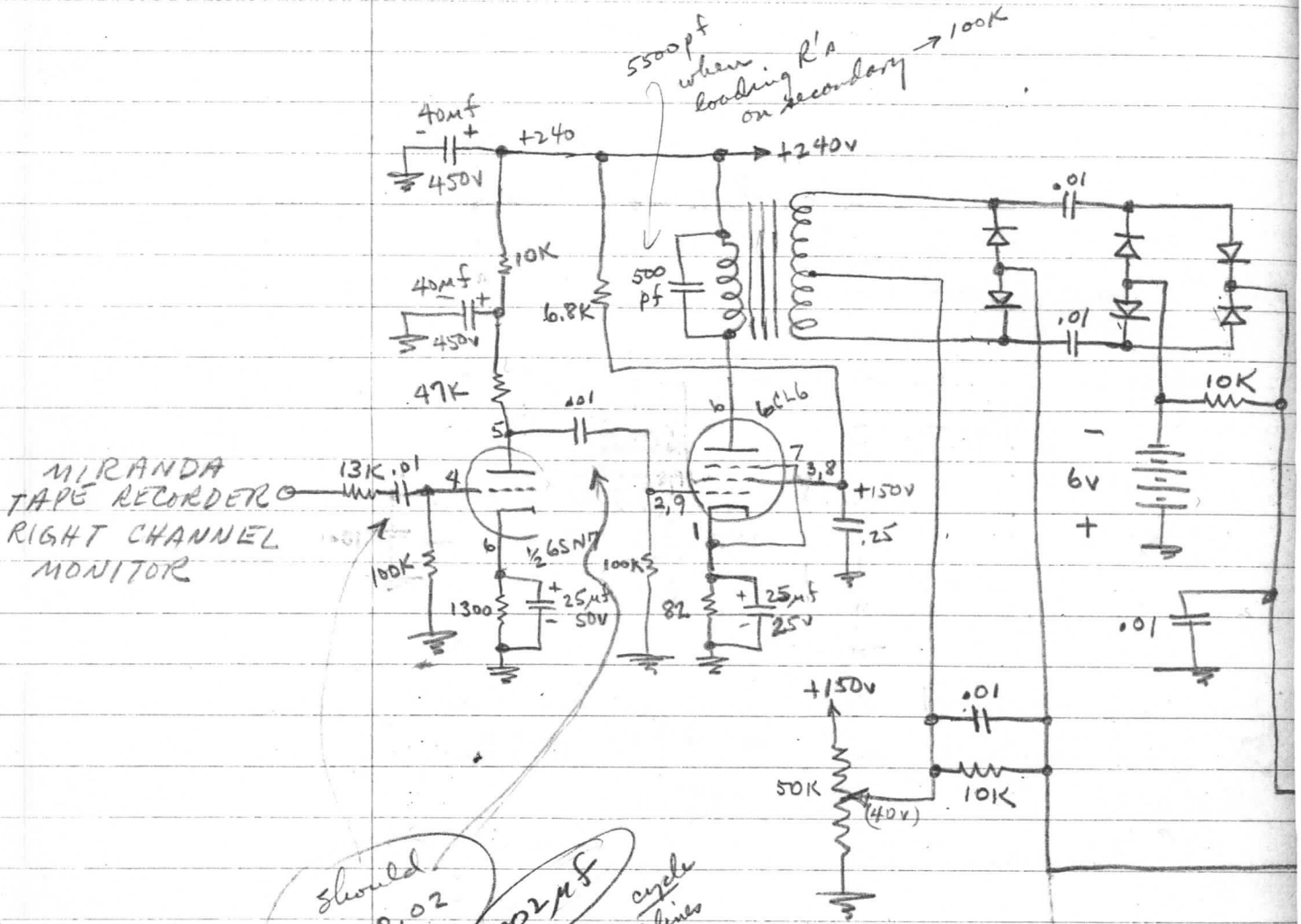


11/30/64



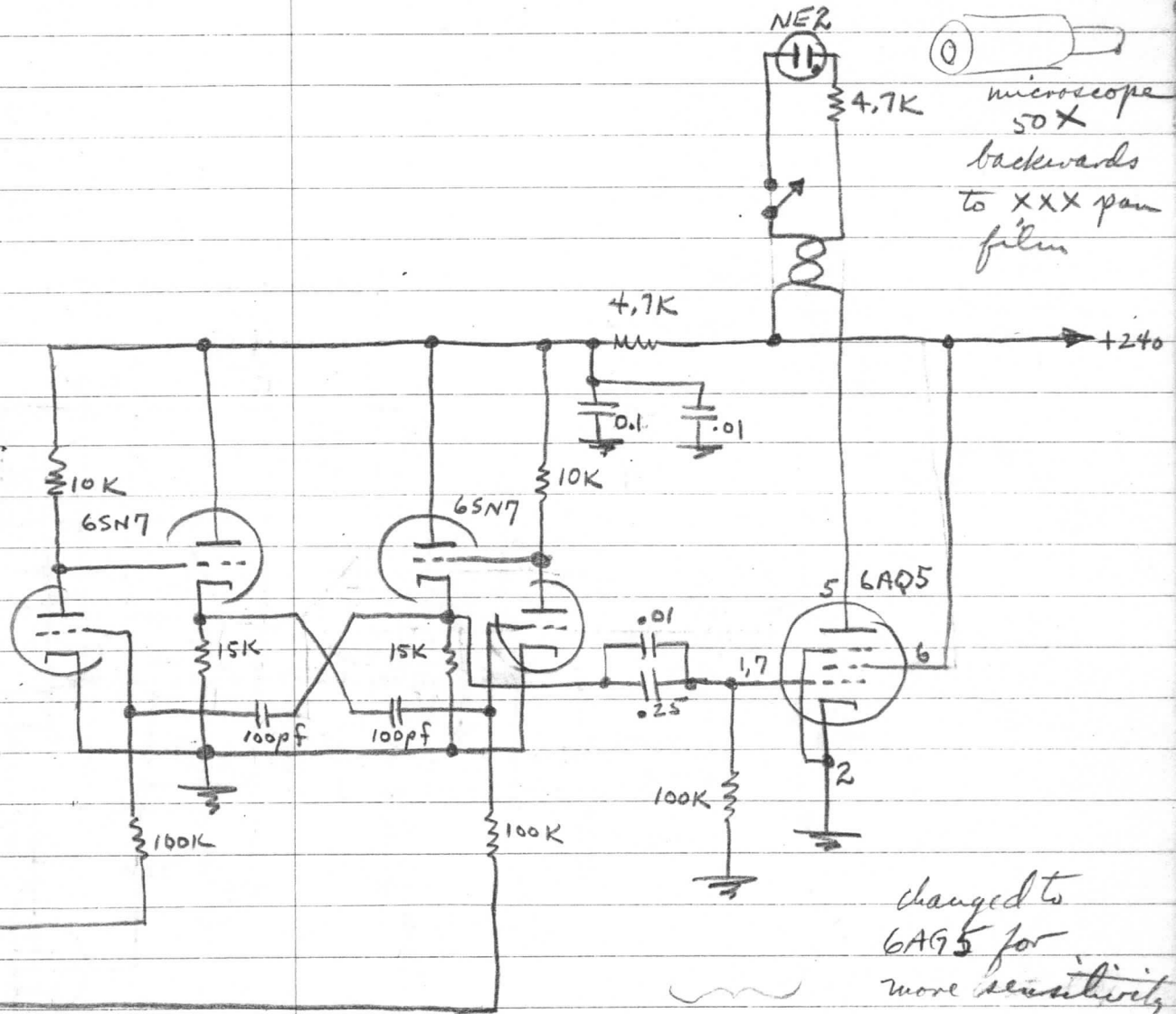
should be 0.02
0.002µF

2/3/65
decimal point error
Bandwidth

2400 cps carrier ± 800 lines / sweep
2400 ± 1600
800 to 4000
lower freq and for 100K resistance
 $C = \frac{1}{2\pi \cdot 800 \cdot (100K)}$
 $= \frac{1}{5000 \cdot 10^6} = 0.002 \mu F$

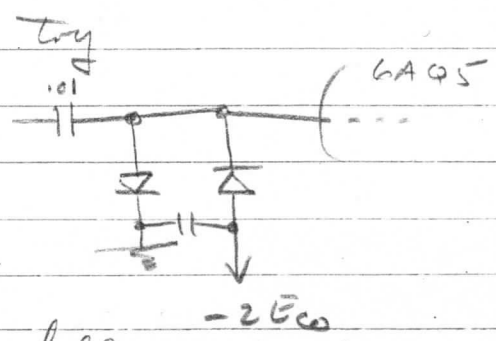
$\frac{1}{\omega C} = R$
 $C = \frac{1}{\omega R}$

changed to improve range of control - only got about 2:1 change in NE2 current - loading of 10K's too much



microscope
50X
backwards
to XXX pan
film

changed to
6AQ5 for
more sensitivity



change to +320V B+ and run off LVPS from Xinto
to hold dc level

12/6/64

